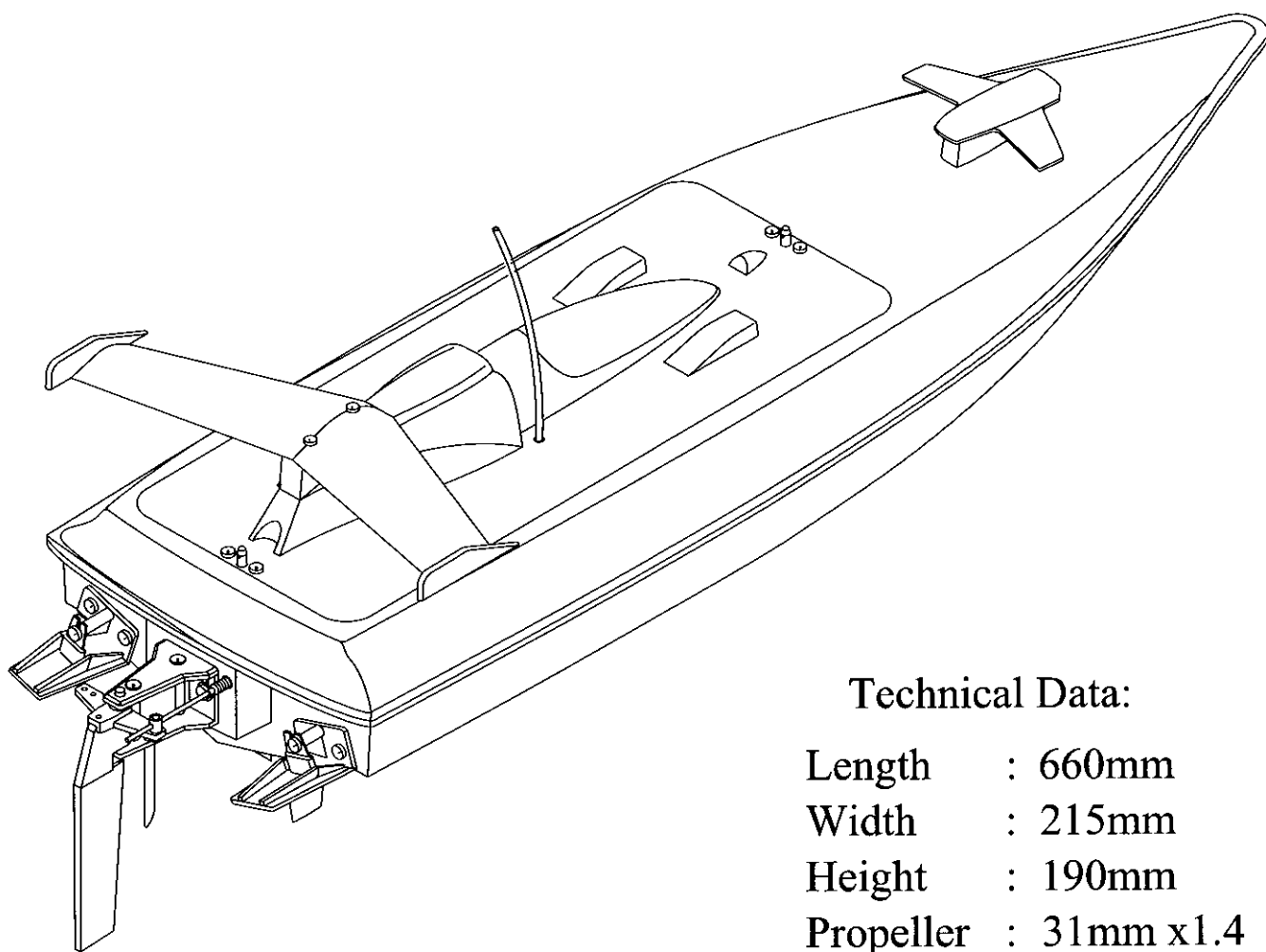


HIGH PERFORMANCE RACING BOAT

ANDERSON

Assembly Instruction

PLEASE READ AND FULLY UNDERSTAND THIS
INSTRUCTION BEFORE STATING ASSEMBLY



Technical Data:

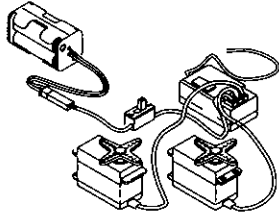
Length : 660mm
Width : 215mm
Height : 190mm
Propeller : 31mm x1.4
Weight : 1250g(approx)
Motor : 540size

SERIES EP

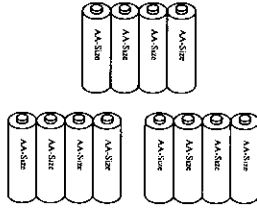
SUPER JULY

★Required for Operation

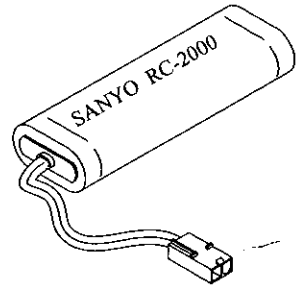
★Radio Control Set-2Channel



★AA-Size Batteries 12Pcs.

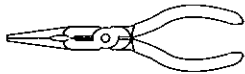


★7.2V Ni-Cd Battery & Charger

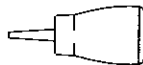


★Tools Required

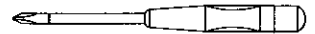
★Long Nose Pliers



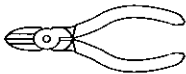
★Instant Glue



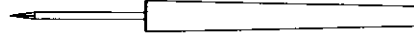
★Phillips Screwdriver (L,M,S)



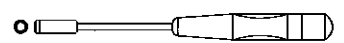
★Wire Cutter



★Awl



★2mm & 3mm Nut Driver



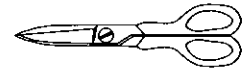
★2.0mm Hex Wrench



★Modeling Knife



★Small Scissors

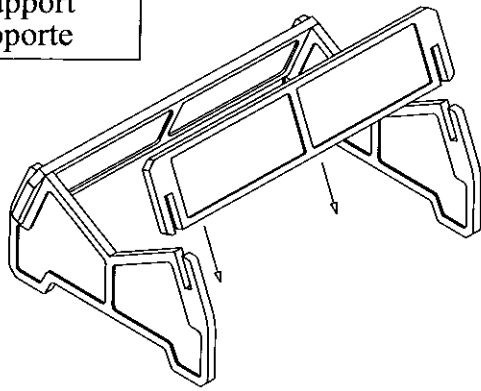


★Recommendations Importantes

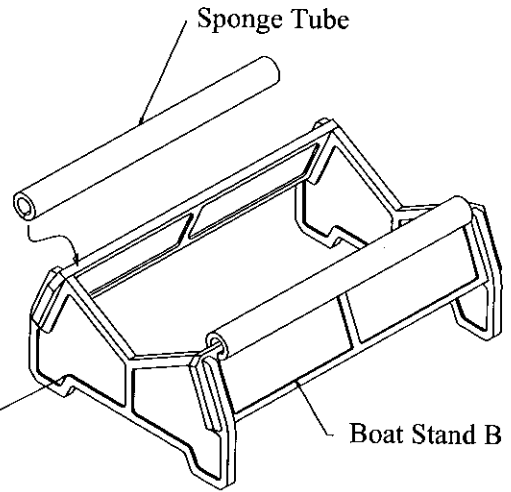
Please arrange in this section for French.

1

船台
Boat Stand
Stander
Support
Soporte



Boat Stand A



Sponge Tube

Boat Stand B

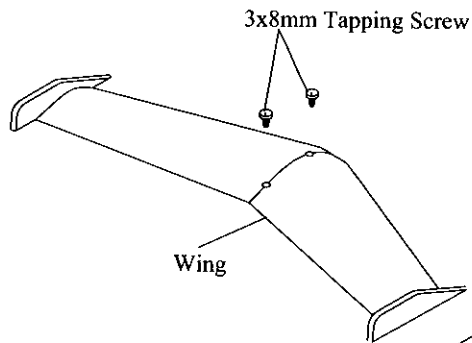
2

船体
Hull
Rumpf
Coque
Casco

6
3x8mm
Tapping Screw
Treibschraube
Vis autotaraudeuse
Tomillo 3x6mm TP

4
3x8mm
Bind Screw
Schraube
Vis
Tomillo 3x8mm

4
3mm
Nut
Mutter
Ecrou
Tuerca



3x8mm Tapping Screw

Wing

3x8mm Tapping Screw

3x8mm Tapping Screw

Hatch Holder up

Chbin Hatch

3x8mm Bind Screw

3mm Nut


3x8mm Bind Screw

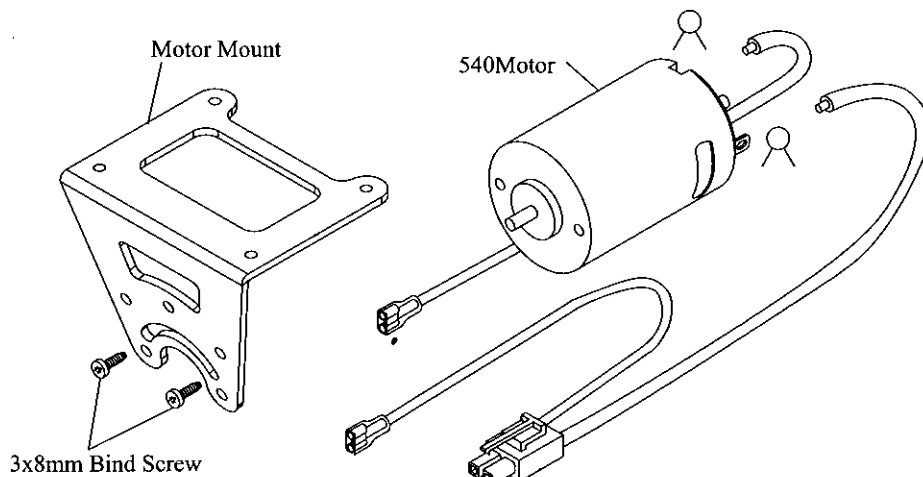
Hatch Holder low

Hull


3mm Nut

3 船体
Hull
Rumpf
Coque
Casco


 — 2
3x8mm
Bind Screw
Schraude
Vis
Tomillo 3x8mm

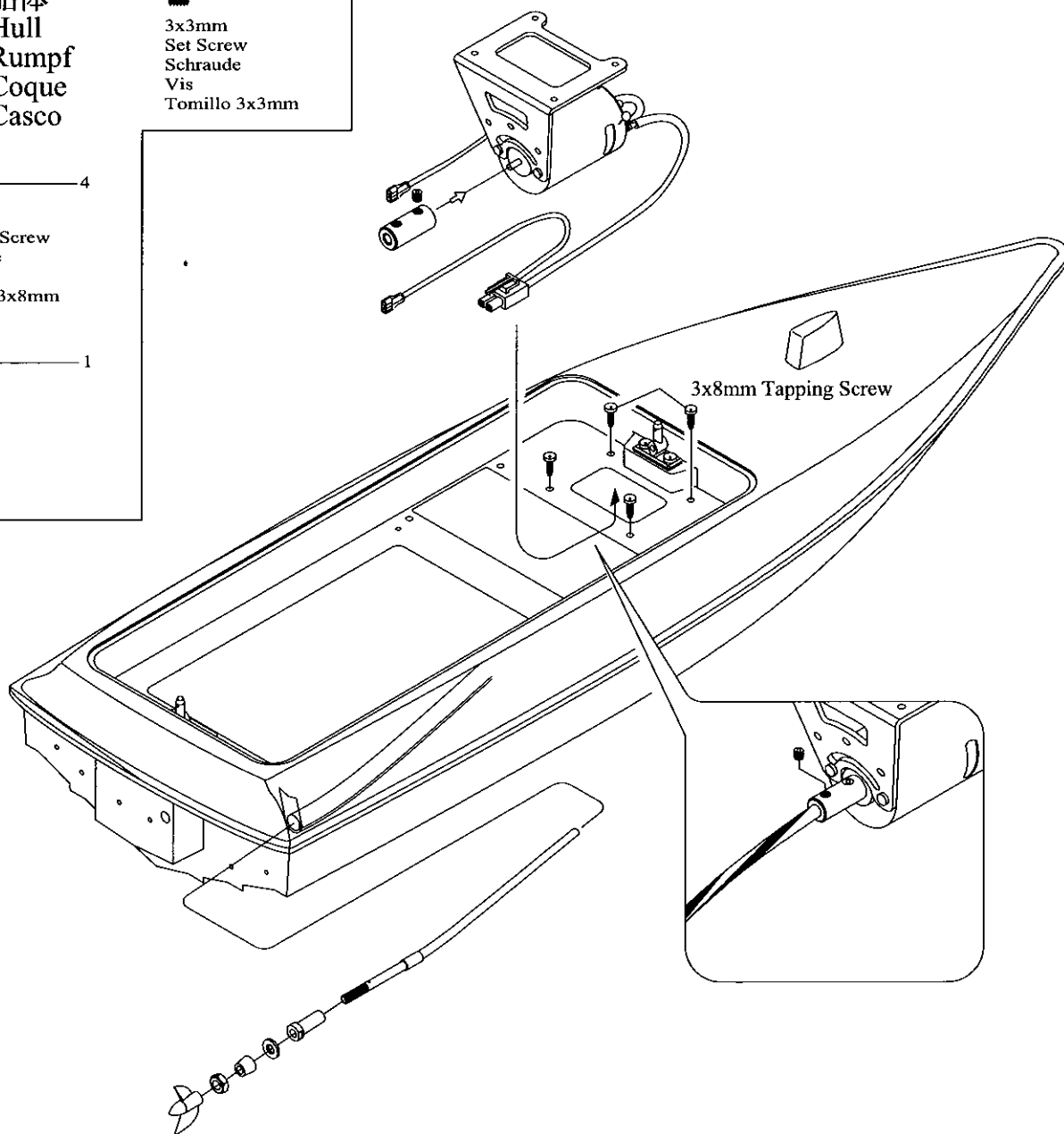


4 船体
Hull
Rumpf
Coque
Casco

 — 2
3x3mm
Set Screw
Schraude
Vis
Tomillo 3x3mm

 — 4
3x8mm
Tapping Screw
Schraude
Vis
Tomillo 3x8mm

 — 1
4mm
Nut
Mutter
Ecro
Tuerca



5

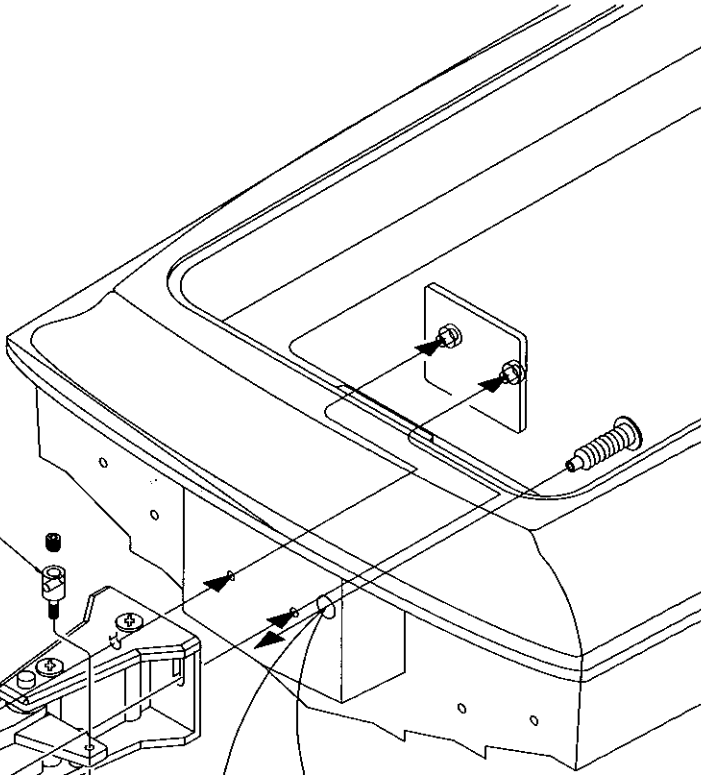
船体
Hull
Rumpf
Coque
Casco

■ — 1
3x3mm
Set Screw
Schraube
Vis
Tomillo 3x3mm

④ — 2
3x8mm
Tapping Screw
Treibschraube
Vis autotaraudeuse
Tomillo 3x8mm TP

⊙ — 1
2mm
Nylon Nut
Ecrou Nylon

④ — 2 ⊙ — 2
3x12mm 3mm
Tapping Screw Washer
Treibschraube Scheibe
Vis autotaraudeuse Rondelle
Tomillo 3x12mm TP Arandela 3mm



3x8mm Tapping Screw

Rudder Horn

Rudder Mount A

3mm Washer

2mm Lock Nut

Rudder Mount B

Cyanoacrylate Adhesive



Rudder

Push rod Connector with 3x3 Screw

Water Proof Boot S

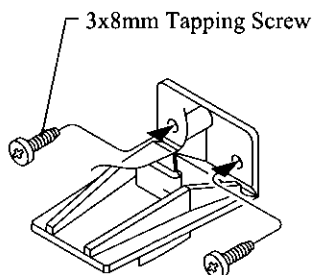
6

船体
Hull
Stander
Coque
Casco

⊙ — 2
2mm
Washer
Scheibe
Rondelle
Arandela 2mm

④ — 2
2x8mm
Tapping Screw
Treibschraube
Vis autotaraudeuse
Tomillo 2x8mm TP

④ — 4
3x8mm
Tapping Screw
Treibschraube
Vis autotaraudeuse
Tomillo 3x8mm TP



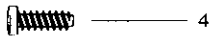
Trim Tub Holes

2x8mm Tapping Screw

Trim Tub

2x5mm Washer

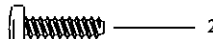
船体
Hull
Rumpf
Coque
Casco



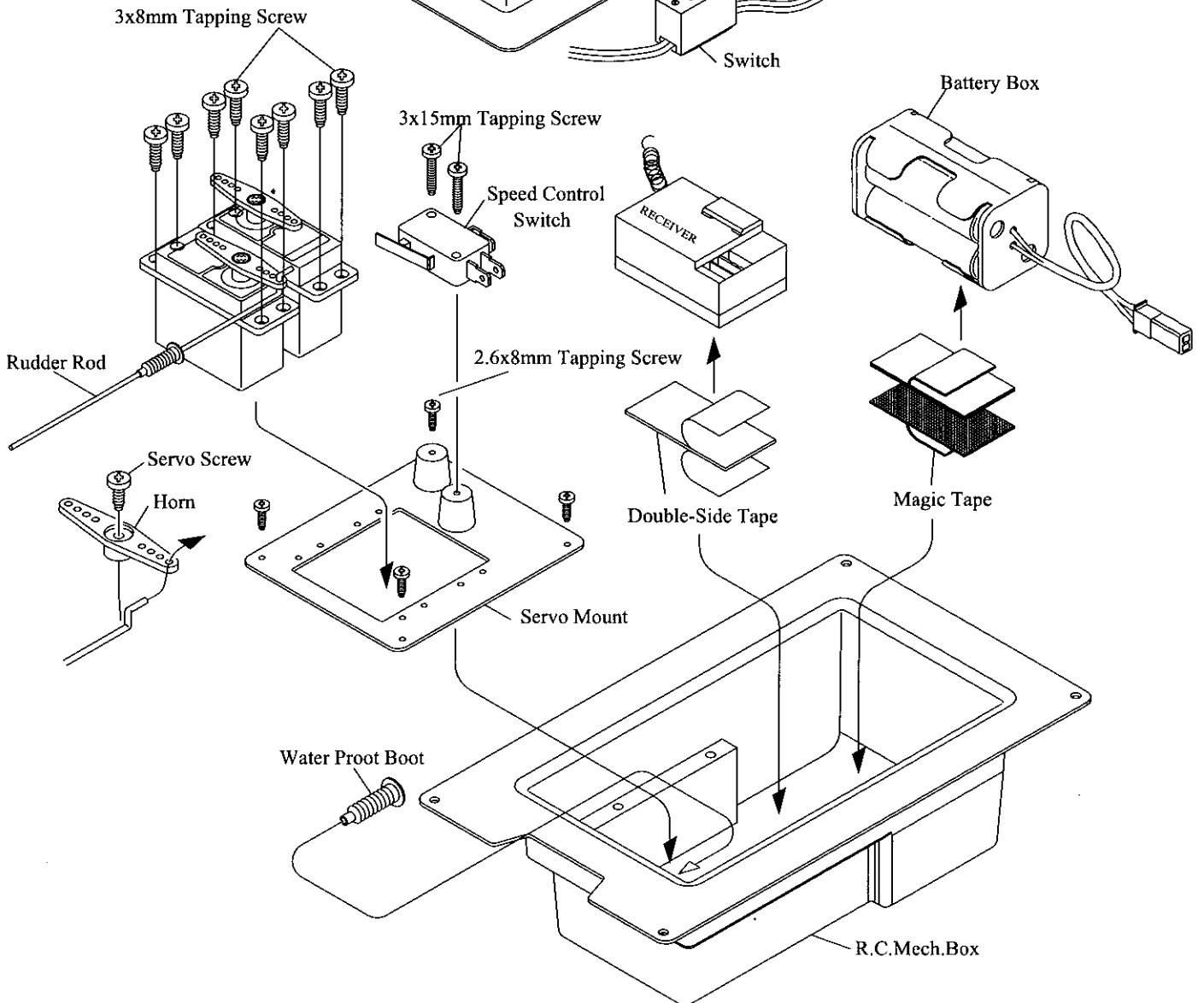
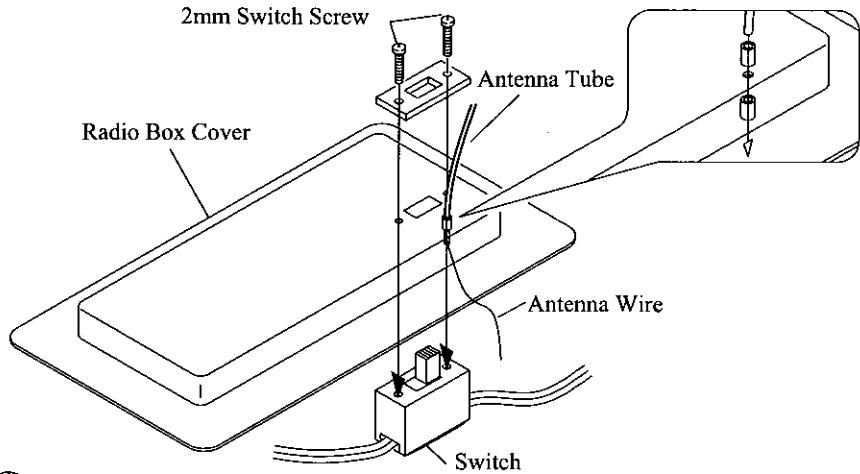
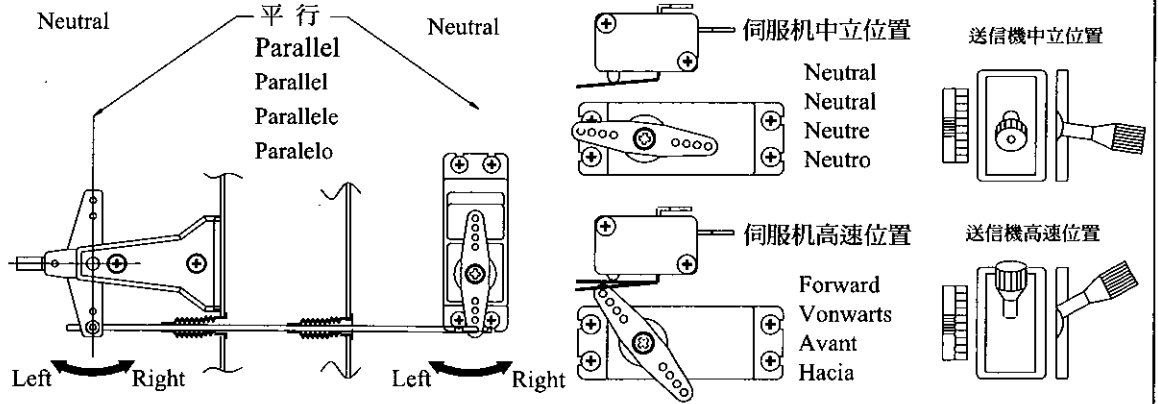
4
2.6x8mm
Tapping Screw
Treibschraube
Vis autotaraudeuse
Tomillo 2x8mm TP



8
3x8mm
Tapping Screw
Treibschraube
Vis autotaraudeuse
Tomillo 3x8mm TP




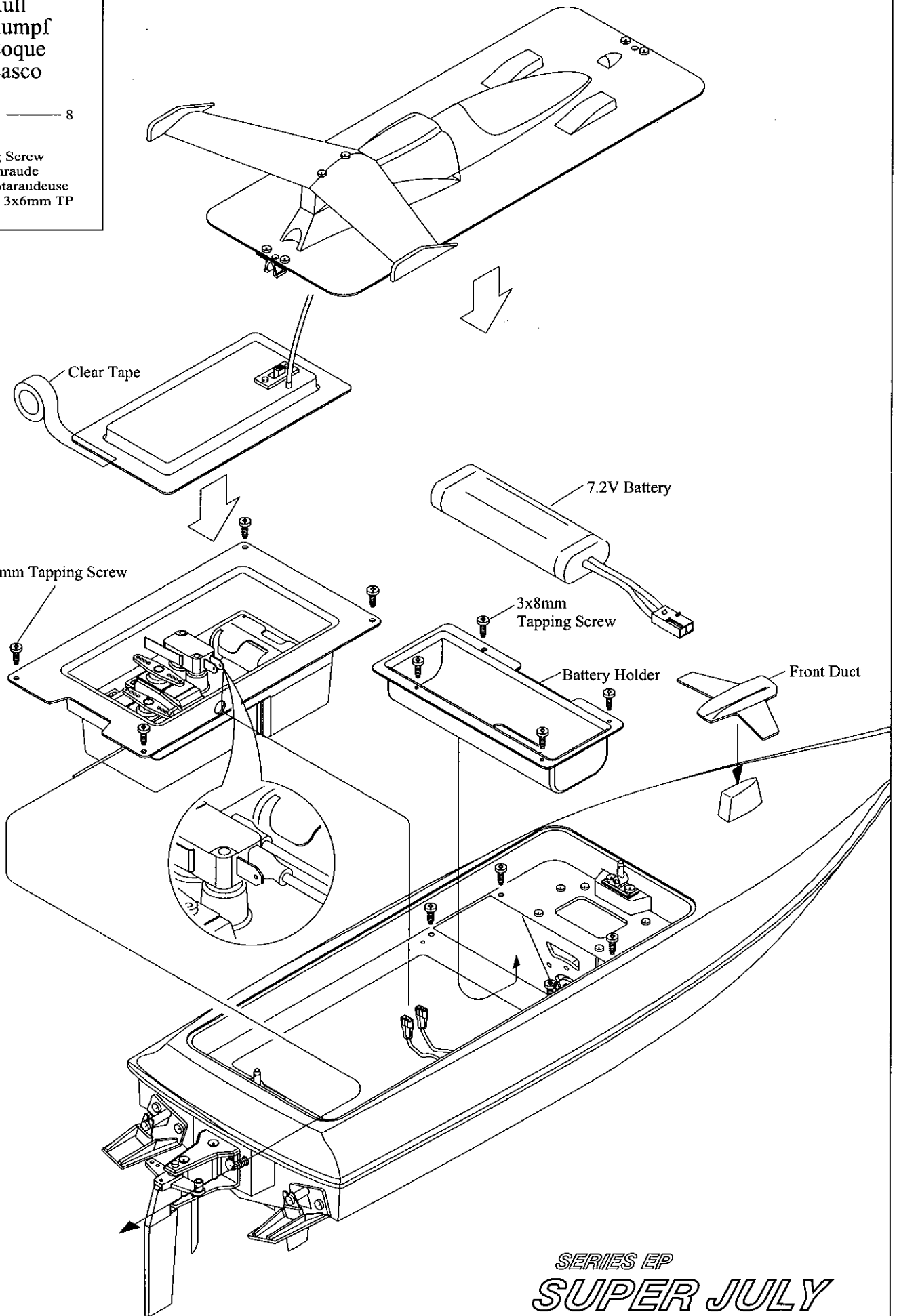
2
3x15mm
Tapping Screw
Treibschraube
Vis autotaraudeuse
Tomillo 3x15mm TP



8

船体
Hull
Rumpf
Coque
Casco

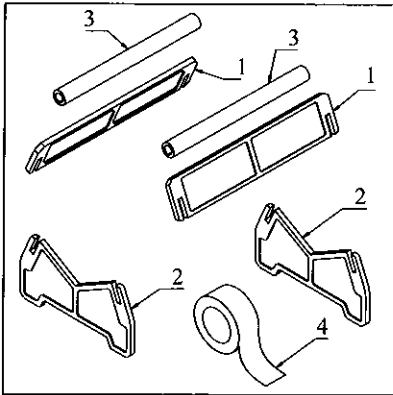
-  8
- 3x8mm Tapping Screw
- Treibschraude
- Vis autotaraudeuse
- Tomillo 3x6mm TP



SERIES EP
SUPER JULY

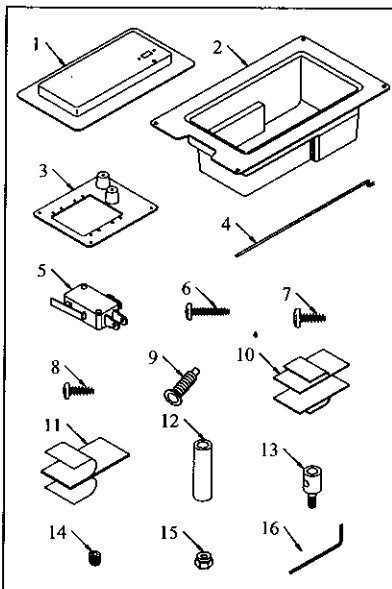
SUPER JULY PARTS LIST

No.1 Bag



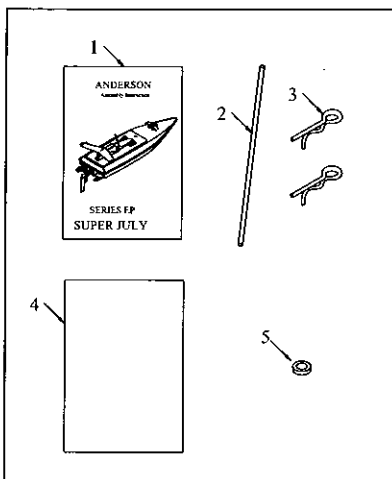
No.1 Bag	QTY.
1. Boatstand A	2
2. Boatstand B	2
3. Sponge Tube	2
4. Clear Tube	1

No.2 Bag

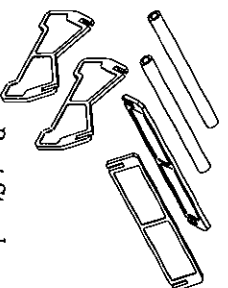
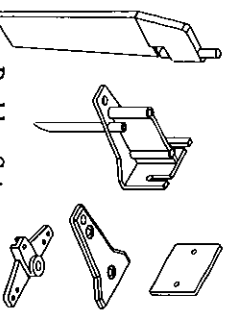
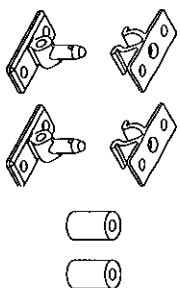
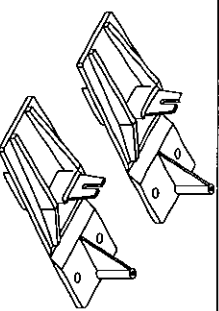

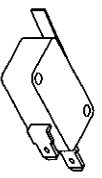
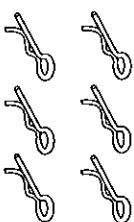
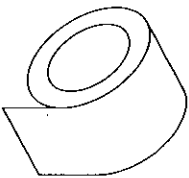

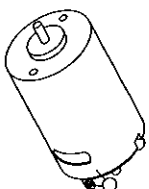
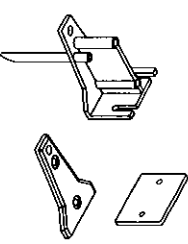
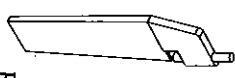
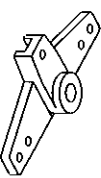
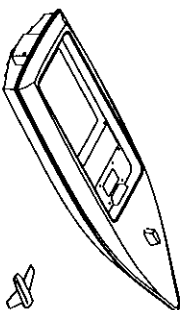
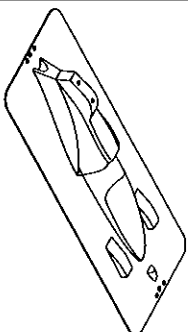

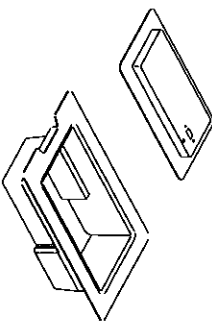
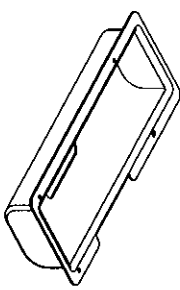
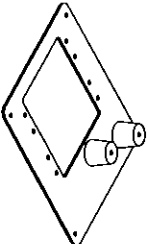
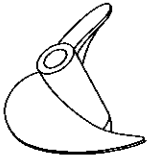
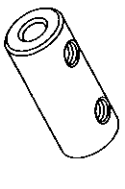
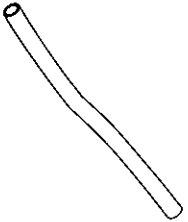
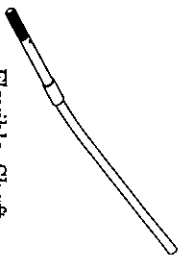
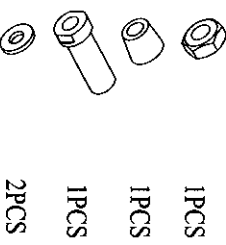


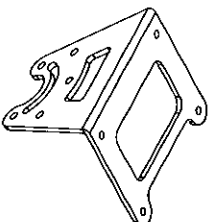
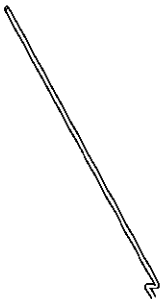
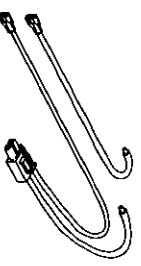

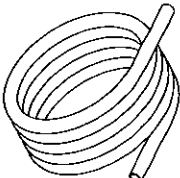
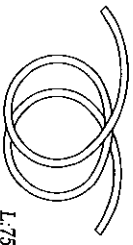
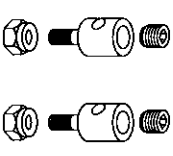








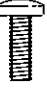






No.1 Bag	QTY.
1. Radio Box Cover	1
2. Radio Box	1
3. Servo Mount	1
4. Rudder Rod	1
5. Speed Control Screw	1
6. 3X15mm Tapping Screw	2
7. 3X8mm Tapping Screw	12
8. 2.6X8mm Tapping Screw	4
9. Water Proos Boot	2
10. Magic Tape	1
11. Double-Sided Tape	1
12. Silicone Tube	1
13. Push Rod Connector	1
14. 3mm Set Screw	1
15. 2mm Lock Nut	1
16. 1.5mm Hex Wrench	1

No.3 Bag

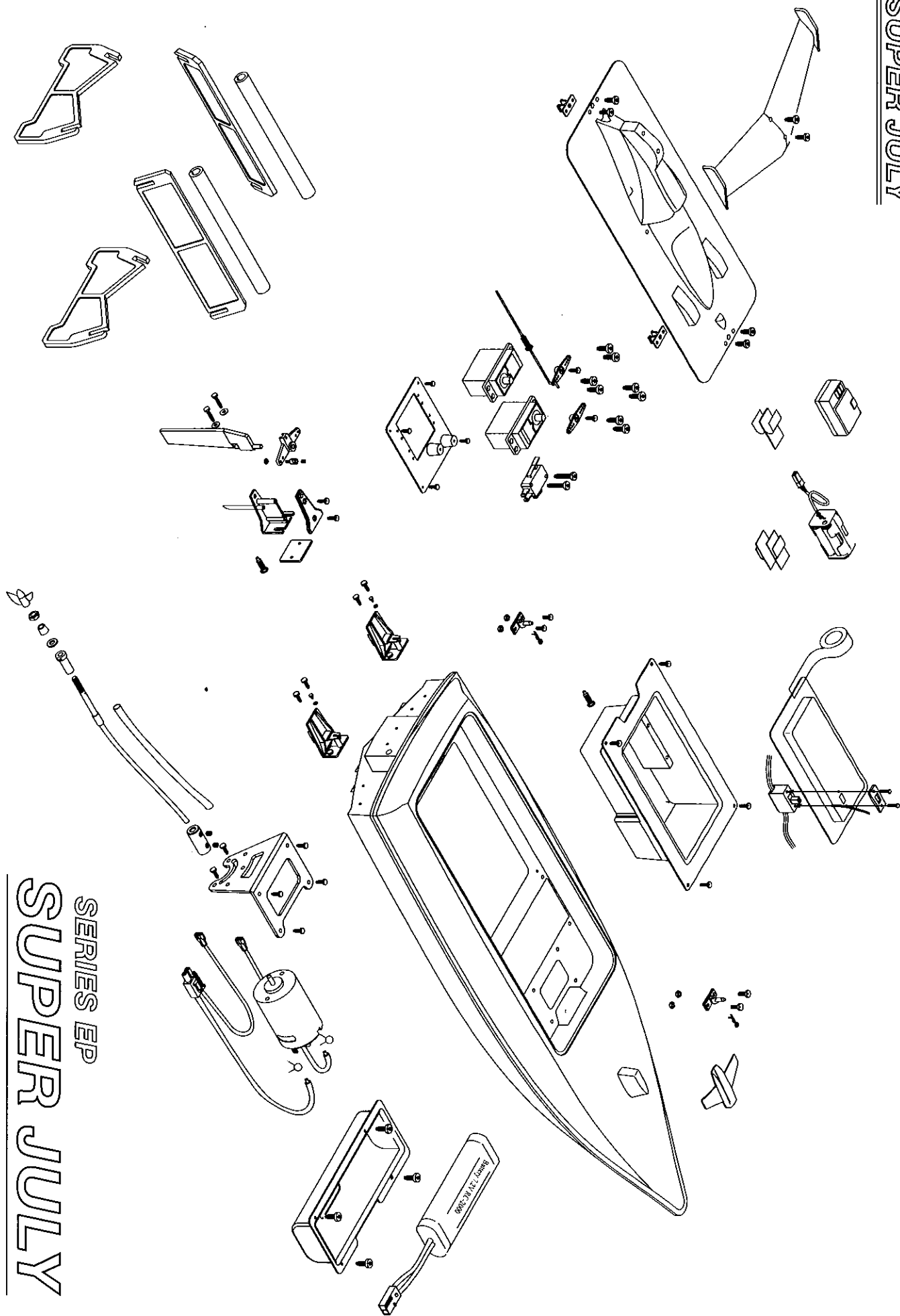


No.3 Bag	QTY.
1. Assembly Insruction	1
2. Antenna Tube	1
3. Body Pin	2
4. Decal	1
5. Trust Washer 8.0	1

970009		船架 Boat Stand	970010		方向舵 Rudder Set	970013		船蓋扣 Hatch Holder	970014		壓水板 Trim Tub	970022		防水套 Water Proof Boots	970026		微動開關 Speed Control Switch
970030		插銷 Clips (SSP5) 6PCS	970034		透明膠帶 Clear Tape	970035		魔術膠帶 Magic Tape	970043		馬達 Motor	970047		方向舵座 Rudder Mount	970048		方向舵 Rudder
970049		方向舵擺臂 Rudder Horn	980001		船體 Hull	980002		船艙蓋 Cabin Hatch	980003		定風翼 Wing	980004		接收機盒 Radio Box	980005		電池盒 Battery Holder
980006		伺服機固定座 Servo Mount	980011		螺旋槳 Propeller	980015		浦接頭 Joint 2PCS	980016		撓性軸管 Flexible Tube	980017		傳動軸 Flexible Shaft	980018		軸套零件包 2PCS 1PCS 1PCS 1PCS

980019	980020	980022	980030	980031	121400
 Motor Mount 馬達座 180280	 Rudder Rod 方向舵拉桿 250620	 Wiring Harness 電源線組 254029	 Decals 1PCS 貼紙 254030	 Cooling Pipe OPTION 冷卻管 254031	 Fuel tube L:75cm OPTION 矽膠油管 254032
 Push Rod Connector EA-180280 2PCS 轉向調整座 254068	 Antenna Tube 5PCS 天線管 254069	 Set Screw 3X3 6PCS 無頭內六角 254071	 Set Screw 4X4 6PCS 無頭內六角 254072	 Hex Wrench 1.5MM 6PCS 六角板手 254074	 Hex Wrench 2MM 6PCS 六角板手 254075
 Tapping Screw 2.6X8 6PCS 結合十字自攻 254076	 Tapping Screw 3X8 6PCS 結合十字自攻 254078	 Tapping Screw 3X15 6PCS 結合十字自攻 254082	 Bind Screw 3X8 6PCS 結合十字自旋 254083	 Nut 3MM 6PCS 螺帽	 Washer 2X5 6PCS 華司
 Washer 3MM 6PCS 華司	 Tapping Screw 2X8 6PCS 圓頭十字自攻	 Nut 4MM 6PCS 螺帽	 Tapping Screw 3X12 6PCS 結合十字自攻		

SERIES EP
SUPER JULY



SERIES EP
SUPER JULY